

MODEL T200 LUG

UNIDIRECTIONAL KNIFE GATE VALVE

The model 200 LUG is a monoblock body design full bore unidirectional shut off valve, made with internal guides to support the knife, offering a zero leakage shut off (Class A) and used in general industry applications & water with maximum solid concentration of 5%.

Application fields such as:

- Water & wastewater treatment plants
- Powerplants
- Chemical industry
- Mining
- Biomass
- Paper pulp
- Bulk handling

Sizes: DN 50 to DN 1200 (Bigger sizes on request)

Working pressure: DN 50 to DN 250: 10 bar
DN 300 to DN 450: 6 bar
DN 500 to DN 600: 4 bar
DN 700 to DN 1200: 2 bar

Standard flange connection: EN1092 PN 10/16 (others on request)

Directives:

- 2006/42/EC (machines)
- 2014/68/EU (PED). Fluid: Group 1(b), 2 (Cat. I. mod. A)
- 2014/34/EU (ATEX) (contact sales department)

* RAL 5015 blue coating on cast iron and carbon steel components. (Specific RALs under demand)

* Higher pressure conditions, please check with the manufacturer.

* All valves are tested according to UNE-EN 12266-1.

DESIGN FEATURES

Main features:

- Short FTF dimensions as per manufacturer standard. Other standards such as DIN3202 K1 and MSS-SP-81 under demand.
- 100% full bore valve, water tight in one direction (OFF seat design/silo service up to 1/3 of full ON seat pressure design)
- Ideal as end of line valve.

Body:

- One piece monoblock body design in different materials GG, GGG40/50, CF8M, CF8, 654SMO, SAF2505, SAF 2507, UB6 / 904L....

Gate

- Stainless steel both sides polished gate to avoid seat damaging and lengthening packing durability.

Seat:

- Many different quality of sealing elements EPDM, NBR, Viton, Silicone, FDA silicone, PTFE, RPTFE, Graphite, Flucast...

Packing:

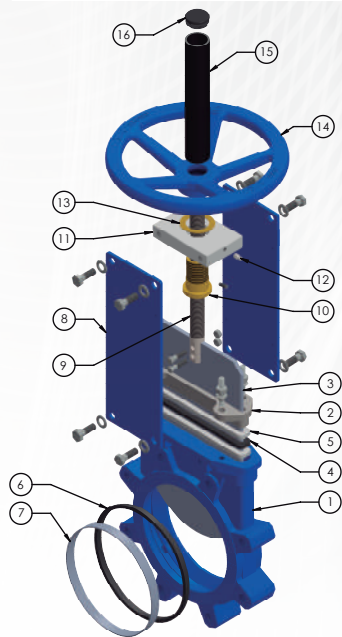
- High quality braided Synt+PTFE packing, other qualities such Pure PTFE or Graphite under specific demand.

· The valve is manufactured with different actuators such as: Manual (handwheel, gear box, lever, chainwheel), pneumatic (single and double acting), electric, hydraulic.

· Accessories: limit & inductive switches, locking devices, solenoid valves, positioners and stem extensions.

STANDARD PARTS LIST

Other materials under request depending on service conditions



Item	Part	Standard material	Stainless steel
1	Body	GJL250 (GG25), RAL 5015 coated	CF8M (AISI316)
2	Packing gland	Aluminium / Ductile Iron GGG	CF8M (AISI316)
3	Gate	AISI304L (1.4307)	AISI316L (1.4404)
4	O'ring	EPDM	EPDM
5	Packing	Synt+PTFE	Synt+PTFE
6	Seat	EPDM	EPDM
7	Sealing ring	AISI304L / AISI316L	AISI316L
8	Support plates	Steel, RAL 5015 coated	Steel, RAL 5015 coated
9	Spindle	AISI303 (1.4305)	AISI303 (1.4305)
10	Manouvering nut	Brass	Brass
11	Support bridge	Steel, Zinc coated	Steel, Zinc coated
12	Oiling greaser	Standard	Standard
13	Washer	Brass	Brass
14	Handwheel	GJL250 (GG25), RAL 5015 coated	GJL250 (GG25), RAL 5015 coated
15	Stem protection tube	Steel, cataphoresis RAL 9005	Steel, cataphoresis RAL 9005
16	Stem protection cover	Plastic	Plastic
	Bolting	A2	A2

RVO - 03/2021

Zubi Reserves the right to change specifications without notice.

C/Hilanderas, 5 - Bajo | IRÚN | Guipúzcoa [Spain] · Tel: (+34) 943 63 52 71 · E-mail: zubi@valvulaszubi.com